



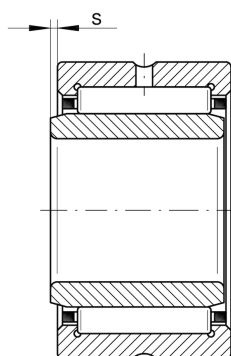
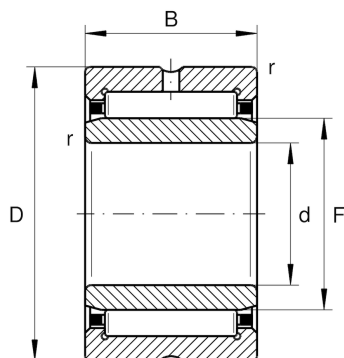
## NKIS17

### Needle roller bearing

Schaeffler ID:  
0000078540000

Needle roller bearing NKIS, single row,  
with inner ring, outer ring with 2 bords

## Technical information



### Main Dimensions & Performance Data

d	17 mm	Bore diameter
D	37 mm	Outside diameter
B	20 mm	Width
$C_r$	26,000 N	Basic dynamic load rating, radial
$C_{0r}$	31,000 N	Basic static load rating, radial
$C_{ur}$	4,400 N	Fatigue load limit, radial
$n_G$	17,200 1/min	Limiting speed
$n_{gr}$	8,800 1/min	Reference speed
	102.7 g	Weight

### Dimensions

F	24 mm	Raceway diameter inner ring
$r_{min}$	0.6 mm	Minimum chamfer dimension
s	0.5 mm	Axial displacement

### Temperature range

$T_{min}$	-30 °C	Operating temperature min.
$T_{max}$	120 °C	Operating temperature max.